

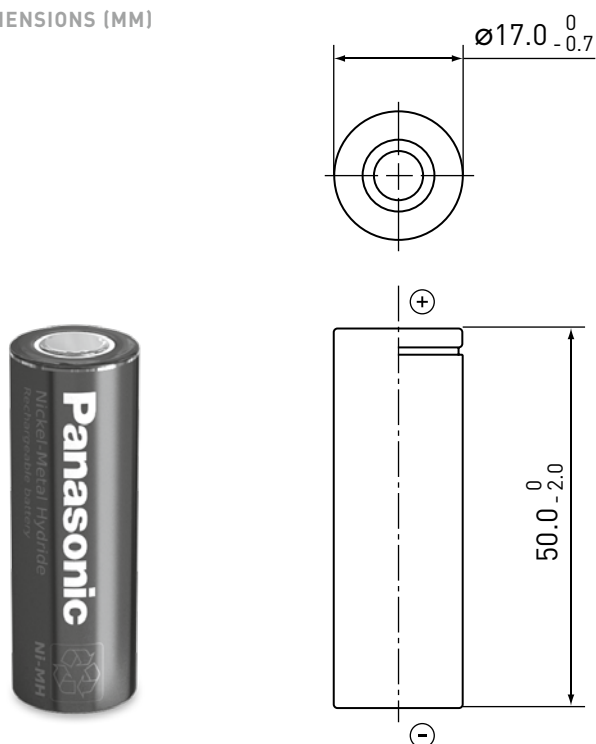
## BK-210A

### HHR-210A (OLD)

STANDARD TYPE  
A SIZE (HR17/50)

**N** type

#### DIMENSIONS (MM)



#### SPECIFICATIONS

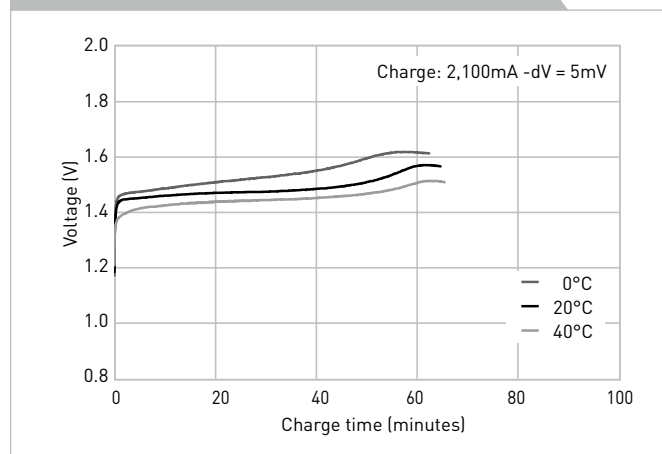
<b>Name</b>	BK-210A	
<b>Diameter (mm)</b>	17.0 +0/-0.7	
<b>Height (mm)</b>	50.0 +0/-2.0	
<b>Approximate weight (g)</b>	38	
<b>Nominal voltage (V)</b>	1.2	
<b>Discharge capacity*1</b>	<b>Average*2 (mAh)</b>	2,200
	<b>Rated/min. (mAh)</b>	2,100
<b>Approx. internal impedance at 1,000Hz at charged state (mΩ)</b>	20	
<b>Charge</b>	<b>Standard (mA x hrs.)</b>	210 x 16
	<b>Rapid*3 (mA x hrs.)</b>	2,100 x 1.2
<b>Ambient temperature</b>	<b>Charge</b>	
	<b>Discharge (°C)</b>	
<b>Storage</b>	<b>Standard (°C)</b>	0 to +45
	<b>Rapid (°C)</b>	0 to +40
	<b>&lt;1 year</b>	-20 to +35
	<b>&lt;6 months</b>	-20 to +45
	<b>&lt;1 month</b>	-20 to +55
<b>&lt;1 week</b>	-20 to +65	

\*1 After charging at 0.1It for 16 hours, discharging at 0.2It.

\*2 For reference only.

\*3 Need specially designed control system. Please contact Panasonic for details.

#### TYPICAL CHARGE CHARACTERISTICS



#### TYPICAL DISCHARGE CHARACTERISTICS

