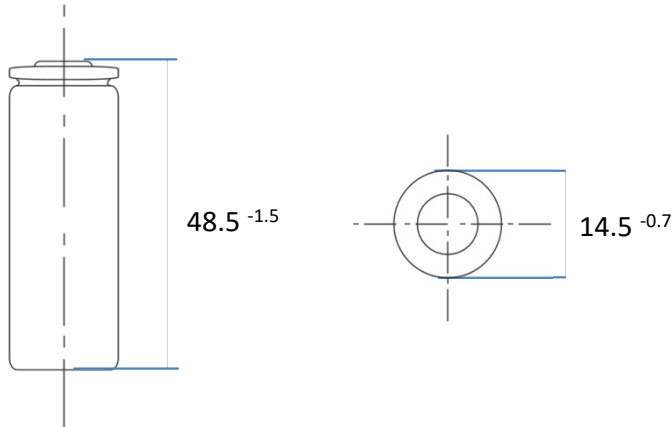


PRODUCT IMAGE / IMAGE DU PRODUIT



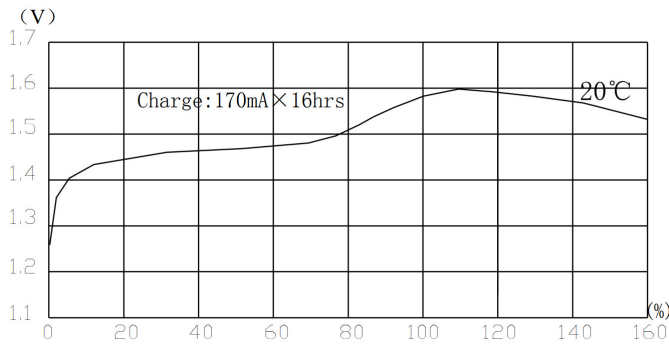
GENERAL SPECIFICATIONS / SPECIFICATION GÉNÉRALES

|  |                             |
|--|-----------------------------|
| Technology / Technologie                             | Nickel Metal Hydride        |
| Designation IEC / Désignation IEC                    | AA                          |
| Nominal Capacity / Capacité Nominale                 | 1700 mAh                    |
| Nominal voltage / Tension nominale                   | 1.2V                        |
| Charging Current / Courant de charge                 | 340-1700mA                  |
| Standard Charge / Charge standard                    | 170mA x 16hrs               |
| Average weight / Poids moyen                         | 26.0g                       |
| Dimension  | Φ D: 14.5 x H 48.5mm        |
| Internal Impedance / Impédance interne               | < 30                        |
| Recommended Applications / Applications Recommandées | Electronics<br>Electronique |

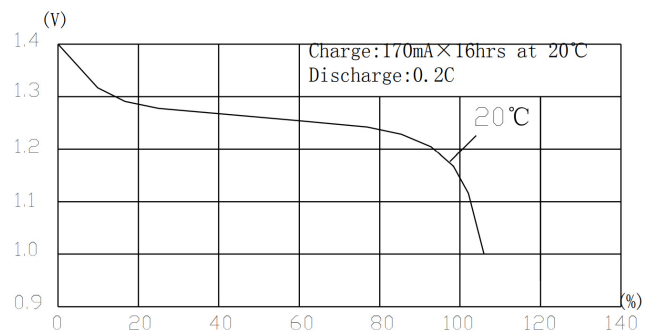
TEMPERATURE RANGE / PLAGE DE TEMPÉRATURE

|  |  |
|--|--|
| Operating Temperature / Température d'utilisation      | Charge: 0°C to +35°C / Discharge: -20°C to +70°C |
| Storage temperature range / Température de stockage    | -5°C to +35°C                                    |
| Number of Charging cycles / Nombre de cycles de charge | > 500  |

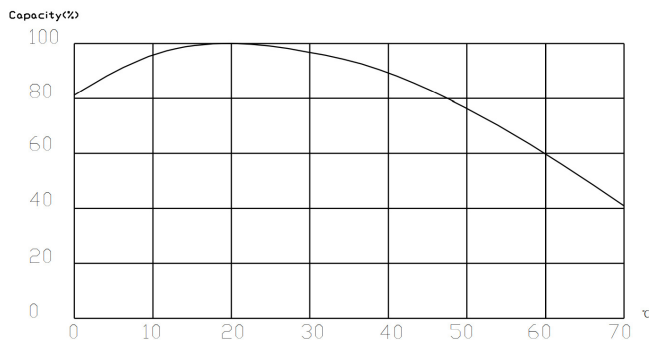
Standard Charge Curve (Charge 70mA x 16Hrs, 20°C)



Discharge Curve (Charge 170mA x 16Hrs, 20°C, Discharge 0.2C)



Charge / Discharge Efficiency



\*The above information is generally descriptive only and is not intended as guarantee or warranty  
 \*\*Uniross reserves the right to alter or amend the design, model and specification without prior notice.