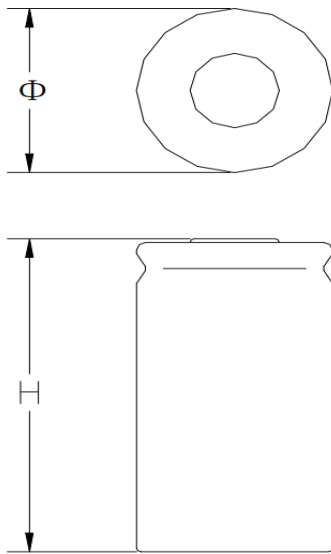


NOMINAL DIMENSION (mm)



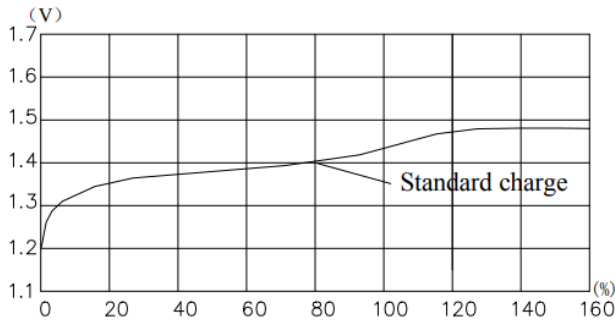
GENERAL SPECIFICATIONS / SPECIFICATION GÉNÉRALES

Classification / Classification	Ni-CD
Designation IEC / Désignation IEC	D
Nominal Capacity / Capacité Nominale	4500 mAh
Minimal Capacity / Capacité Minimale	4500 mAh
<i>*Discharge Current 0.2C (900mA)</i>	
Nominal voltage / Tension Nominale	1.2V
Charging Current / Courant de charge	450-4500mA
Standard Charge / Charge standard	450mA x 16hrs
Average weight (g) / Poids moyen (g)	122.5g
Dimensions / Dimension	H59.5 x 33.0 mm
Recommended applications / Applications recommandées	Emergency lighting – Stairlifts / Éclairage de secours / monte-escaliers

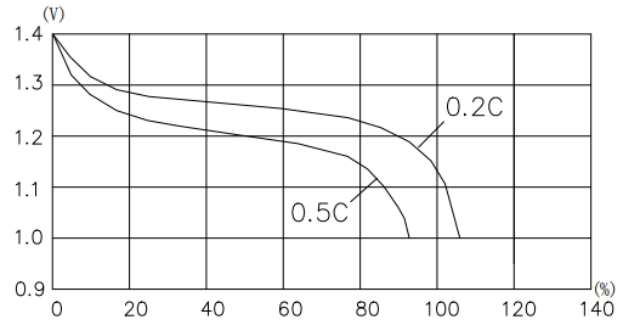
TEMPERATURE RANGE / PLAGE DE TEMPÉRATURE

Storage temperature range / Température de stockage	-20°C to 45°C
Operating temperature range / Température d'utilisation	0°C to 70°C
Number of Charging cycles / Nombre de cycles de charge	> 500

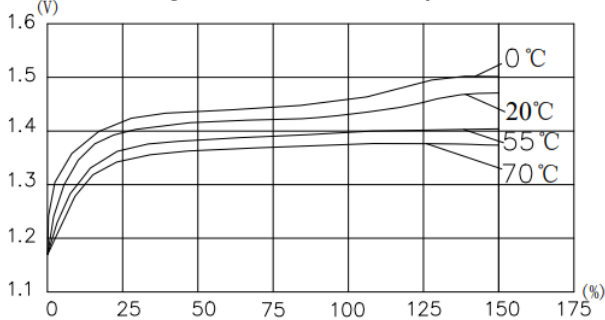
0.1C Charge Curve (20°C)



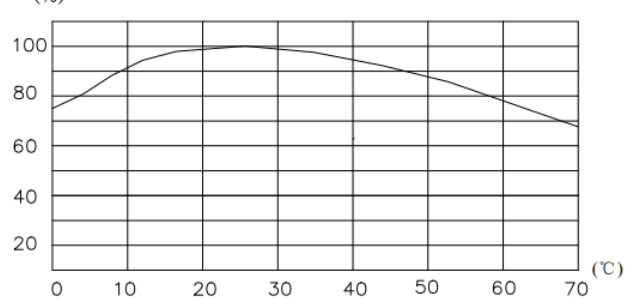
Discharge Curve at Different Rate (20°C)



0.1C Charge Curve at Different Temperature



Charge Efficiency at Different temperature



*The above information is generally descriptive only and is not intended as guarantee or warranty
 **Uniross reserves the right to alter or amend the design, model and specification without prior notice.